

PARTS MANUAL

BALE KING V-RAKE

VR810



BRIDGEVIEW

MANUFACTURED BY: BRIDGEVIEW MANUFACTURING INC.

P.O. BOX 4

GERALD, SASK. CANADA

S0A 1B0

PHONE: (306) 745-2711

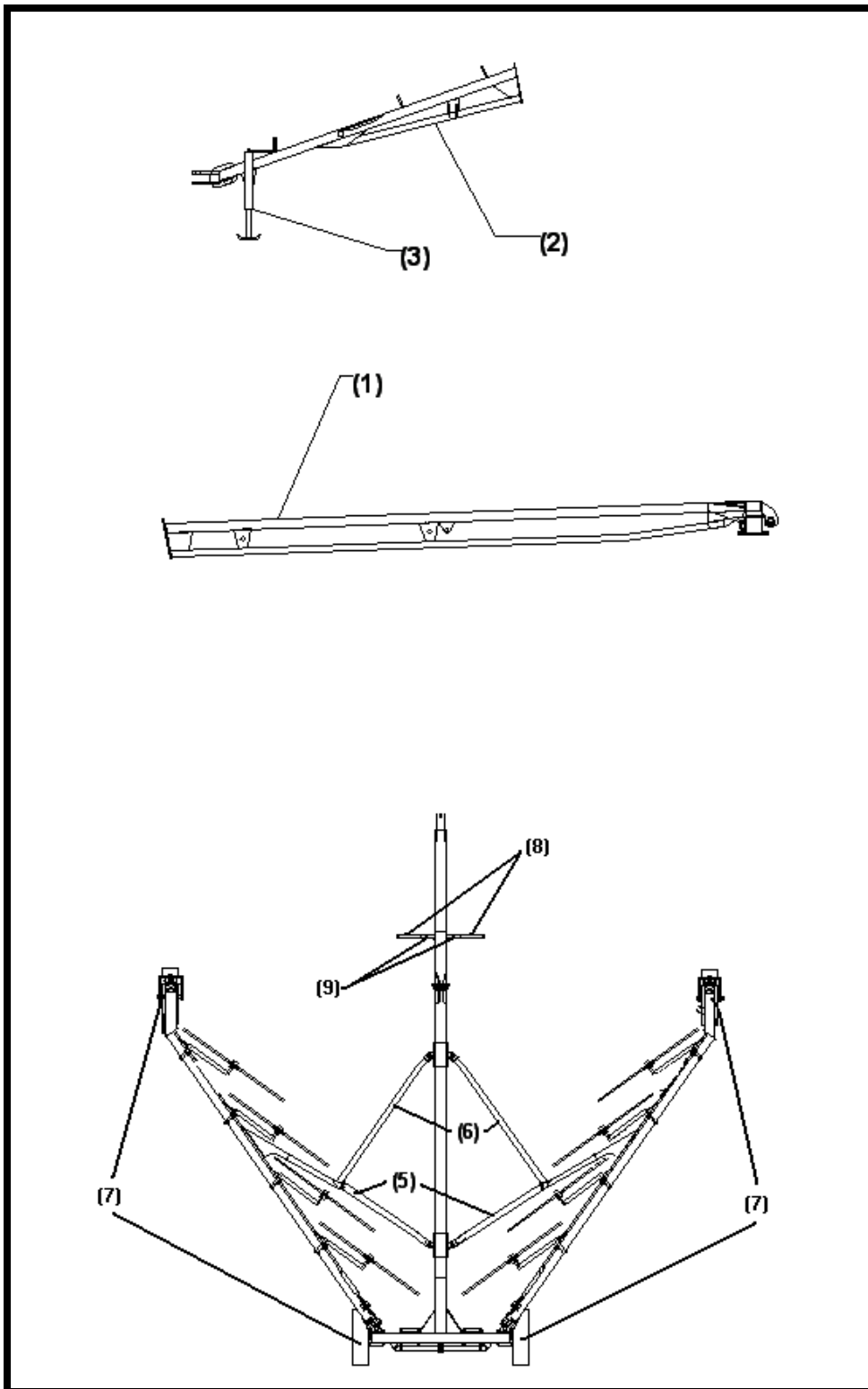
FAX: (306) 745-3364

TABLE OF CONTENTS

BALE KING V-RAKE VR810

MAIN FRAME, WHEELS, SCISSOR ARMS AND TRANSPORT LINKS.....	1 - 2
REAR FRAME ASSEMBLY.....	3 - 4
RAKE ARM ASSEMBLY.....	5 - 6
LIFT ROD ASSEMBLY.....	7 - 8
FRAME SLIDES.....	9
REAR SLIDE ASSEMBLY.....	10
CASTER BRAKE ASSEMBLY.....	11
RAKE WHEEL SPRING ASSEMBLY.....	12
CASTER ASSEMBLY.....	13
RAKE WHEEL ASSEMBLY.....	14
RAKE WHEEL ARM ASSEMBLY.....	15 - 16
HUB ASSEMBLY (REAR FRAME).....	17
HUB ASSEMBLY (CASTER).....	18
HUB ASSEMBLY (RAKE WHEEL ARM).....	19
HYDRAULIC CYLINDER (MAIN).....	20
HYDRAULIC CYLINDER (LIFT ROD).....	21
HYDRAULIC SCHEMATICS.....	22
10 WHEEL EXTENSION PARTS.....	23 - 24

MAIN FRAME, WHEELS, SCISSOR ARMS AND TRANSPORT LINKS

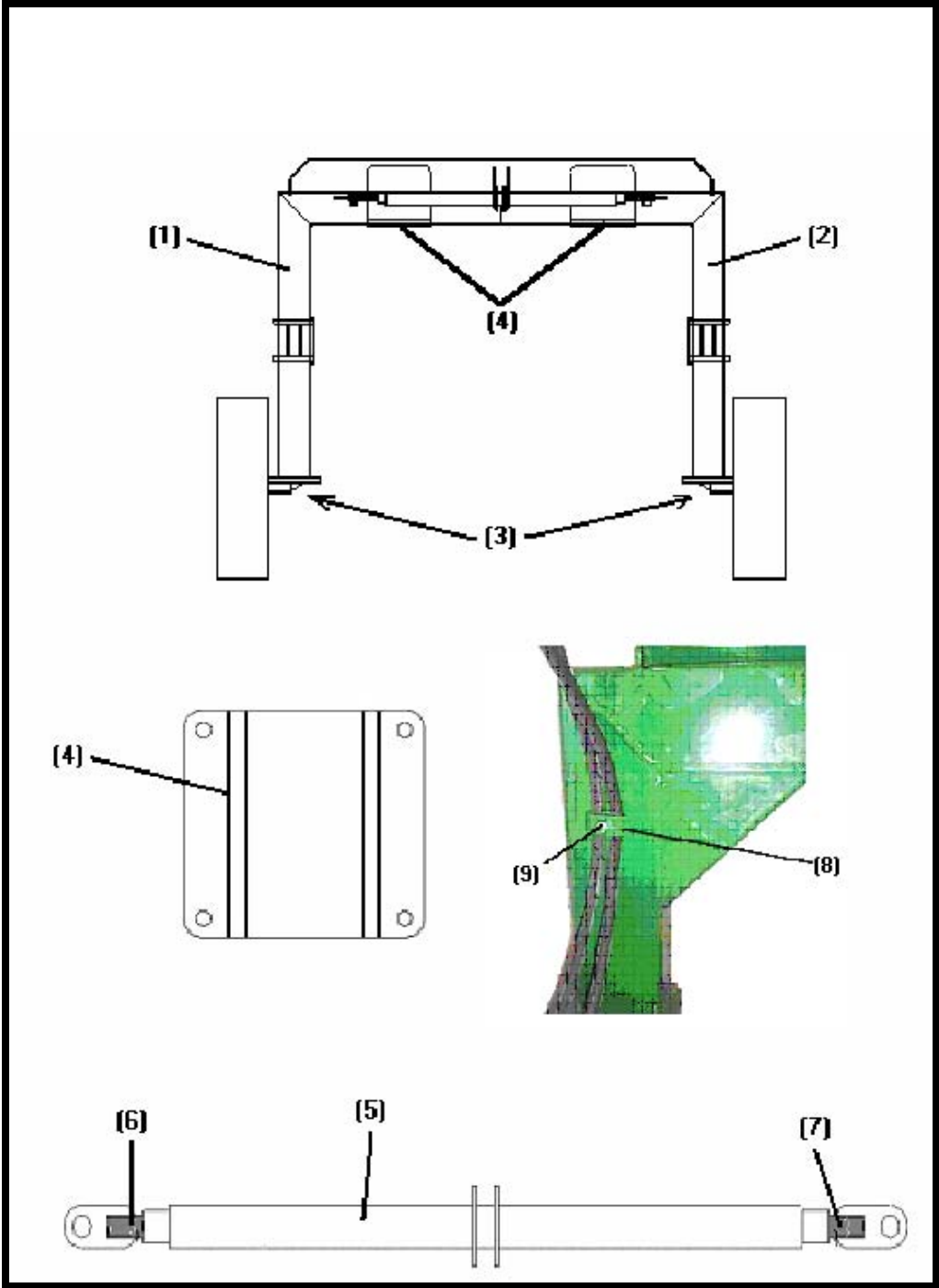


MAIN FRAME, WHEELS, SCISSOR ARMS AND TRANSPORT LINKS

PARTS LIST

<u>Ref#</u>	<u>BMI#</u>	<u>Description</u>	<u>Qty.</u>
1	16786	Main Hitch Beam	1
2	16102	Gooseneck (Serial# VR2569 and below)	1
	16532	Gooseneck (Serial# VR2570 and above)	1
Not Shown	14467	5/8" x 1 3/4" NC Bolt	9
Not Shown	11614	5/8" NC Serrated Flange Nut	9
3	14408	Telescoping Jack	1
Not Shown	11785	Jack Pin (w/ hairpin)	1
5	16784	Rear Scissor Arm	2
6	16783	Front Scissor Arm	2
7	16077	Wheel Assembly	4
Not Shown	16078	Tire	4
Not Shown	16079	Rim, Yellow	4
Not Shown	16730	VR1214 Decal	2
Not Shown	16732	//// BMI Decal – Right	1
Not Shown	16731	//// BMI Decal – Left	1
8	16528	Transport Link Slide	2
9	16530	Transport Link Sleeve	2
Not Shown	16339	Transport Link Pins (w/ hairpins)	6

REAR FRAME ASSEMBLY

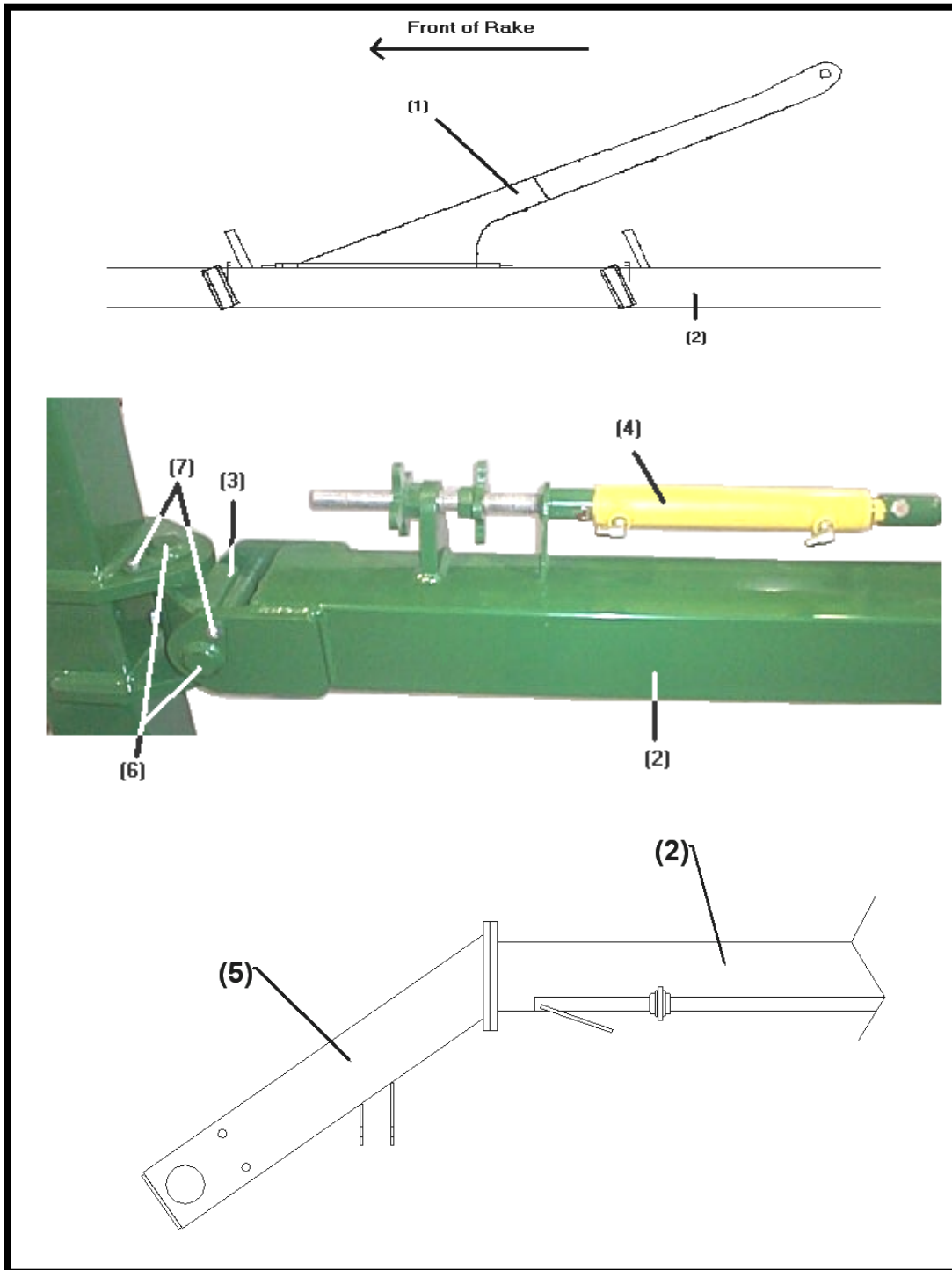


REAR FRAME ASSEMBLY

PARTS LIST

<u>Ref#</u>	<u>BMI#</u>	<u>Description</u>	<u>Qty.</u>
1	16104	Left Rear Frame	1
2	16105	Right Rear Frame	1
3	16129	Rear Axle Mount	2
Not Shown	14467	5/8" x 1 3/4" NC Bolt	8
Not Shown	11614	5/8" NC Serrated Flange Nut	8
4	16142	Rear Frame Clamp Plate	2
Not Shown	14467	5/8" x 1 3/4" NC Bolt	8
Not Shown	13792	5/8" Lock Washer	8
Not Shown	10176	5/8" NC Nut	8
5	16141	Main Ratchet Jack Body	1
6	16487	Left Ratchet Jack Rod	1
7	16488	Right Ratchet Jack Body	1
Not Shown	16489	Ratchet Jack Pin	2
Not Shown	10580	1/4" X 2" Cotter Pin	2
8	16490	Hose Clip	2
9	13802	3/8" NC Locknut	2

RAKE ARM ASSEMBLY

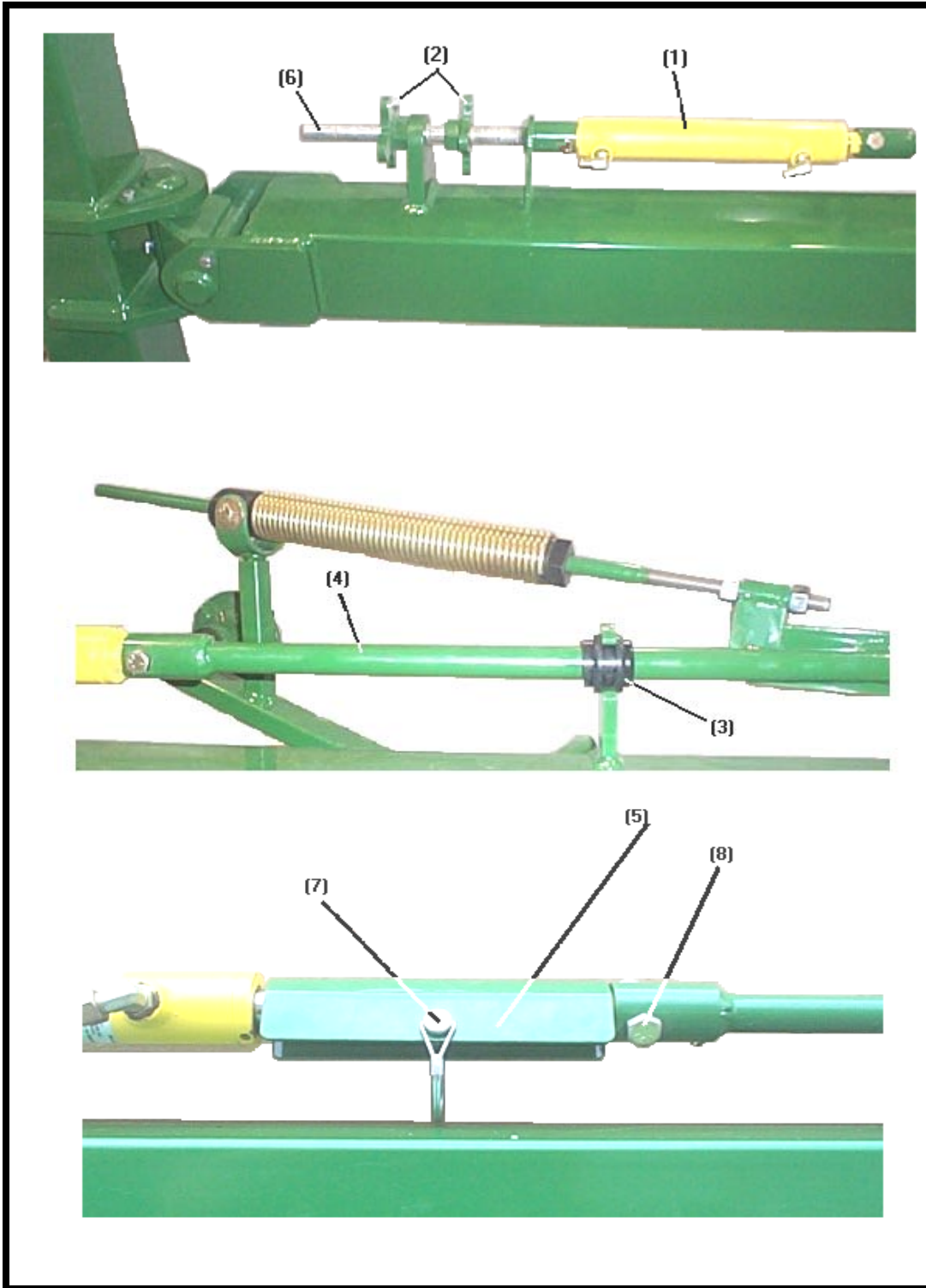


RAKE ARM ASSEMBLY

PARTS LIST

<u>Ref#</u>	<u>BMI#</u>	<u>Description</u>	<u>Qty.</u>
1	16120	Left Riser Arm	1
	16121	Right Riser Arm	1
Not Shown	16650	Riser Arm Pin Washer	4
Not Shown	16122	Riser Arm Pin	2
Not Shown	16091	Riser Arm U-Bolt	4
Not Shown	16076	3/4" Serrated Flange Nut	8
2	16781	Left Rake Arm	1
	16782	Right Rake Arm	1
3	16130	Knuckle (Left)	1
	16661	Knuckle (Right)	1
4		Lift Rod Assembly (Page 7)	2
5	16110	Left wrap around castor mount	1
	16111	Right wrap around castor mount	1
Not Shown	14467	5/8" x 1 3/4" NC Bolt	12
Not Shown	11614	5/8" NC Serrated Flange Nut	12
6	16131	Knuckle Pin	4
7	13803	3/8" x 1 1/2" NC Bolt	4
Not Shown	13802	3/8" NC Locknut	4
Not Shown	10580	1/4" x 2" Roll Pin	4
Not Shown	16389	Self Tapping Grease Zerk (90°)	4
Not Shown	16364	Self Tapping Grease Zerk	12

LIFT ROD ASSEMBLY

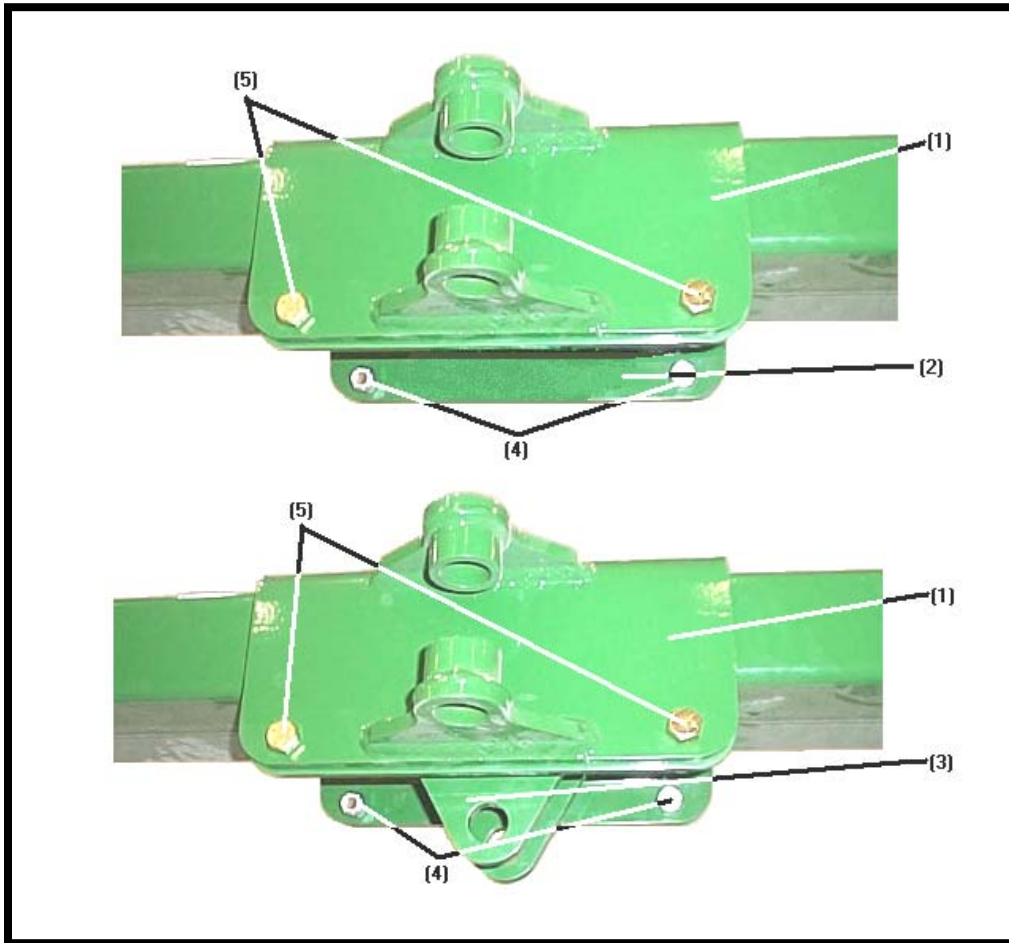


LIFT ROD ASSEMBLY

PARTS LIST

<u>Ref#</u>	<u>BMI#</u>	<u>Description</u>	<u>Qty.</u>
1	10317	Hydraulic Cylinder-Lift Rod (Page 23)	2
2	16133	Adjuster Nut	4
3	16099	Lift Rod Bushing	8
4	16785	Main Lift Rod	2
5	16497	Cylinder Safety Lock	2
6	16134	Left Threaded Rod (Left Assembly)	1
	16483	Right Threaded Rod (Right Assembly)	1
7	12050	Tension PTO Clip	2
8	13805	1/2" x 2 1/4" NC Bolt	4
Not Shown	14443	1/2" NC Locknut	4

FRAME SLIDES (FRONT AND REAR)

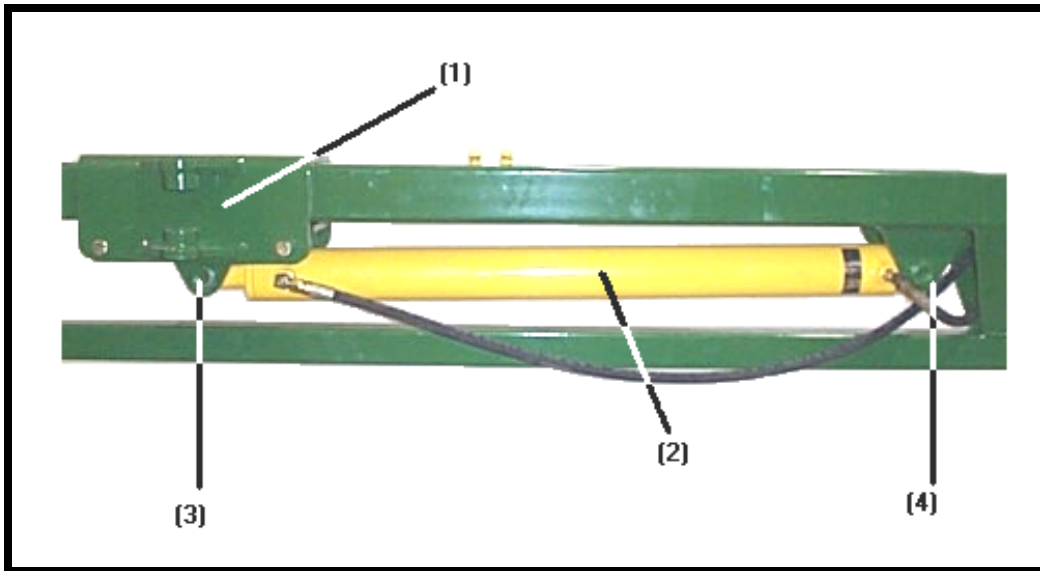


FRAME SLIDES (FRONT AND REAR)

PARTS LIST

<u>Ref#</u>	<u>BMI#</u>	<u>Description</u>	<u>Qty.</u>
1	16116	Slide Top Plate	2
2	16117	Front Slide Bottom Plate	1
3	16118	Rear Slide Bottom Plate	1
4	14443	1/2" NC Locknut	8
5	14461	1/2" x 1 1/2" Bolt	8
Not Shown	16119	Slide Pins	4
Not Shown	10580	1/4" x 2" Roll Pin	4

REAR SLIDE ASSEMBLY

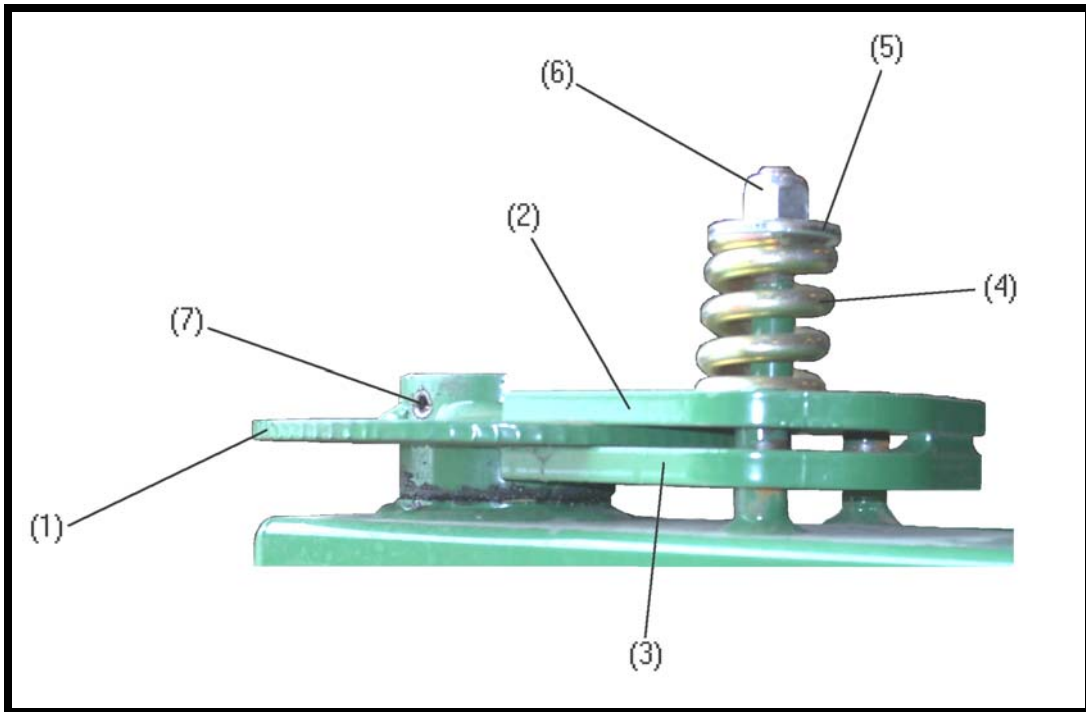


REAR SLIDE ASSEMBLY

PARTS LIST

<u>Ref#</u>	<u>BMI#</u>	<u>Description</u>	<u>Qty.</u>
1		Rear Slide (Page 5)	1
2	16301	Hydraulic Cylinder - Main (Page 22)	1
3	16140	Ram End Cylinder Pin	1
4	16139	Butt End Cylinder Pin	1
Not Shown	10580	1/4" x 2" Cotter Pin	2

CASTER BRAKE ASSEMBLY

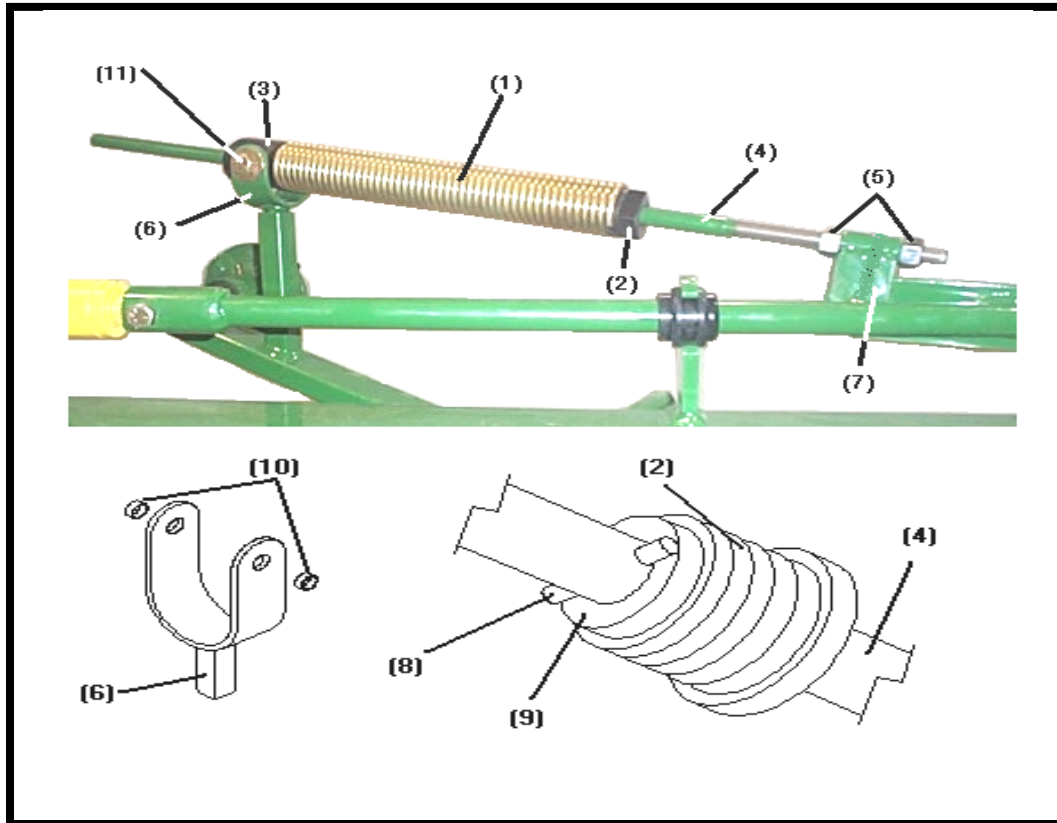


CASTER BRAKE ASSEMBLY

PARTS LIST

<u>Ref#</u>	<u>BMI#</u>	<u>Description</u>	<u>Qty.</u>
1	16136	Brake Disk	2
2	16137	Top Brake Pad	2
3	16138	Bottom Brake Pad	2
4	16093	Brake Spring	2
5	13790	1/2" Flat Washer	2
6	14443	1/2" NC Locknut	2
7	10302	3/16" x 1 1/4" Roll Pin	2

RAKE WHEEL SPRING ASSEMBLY

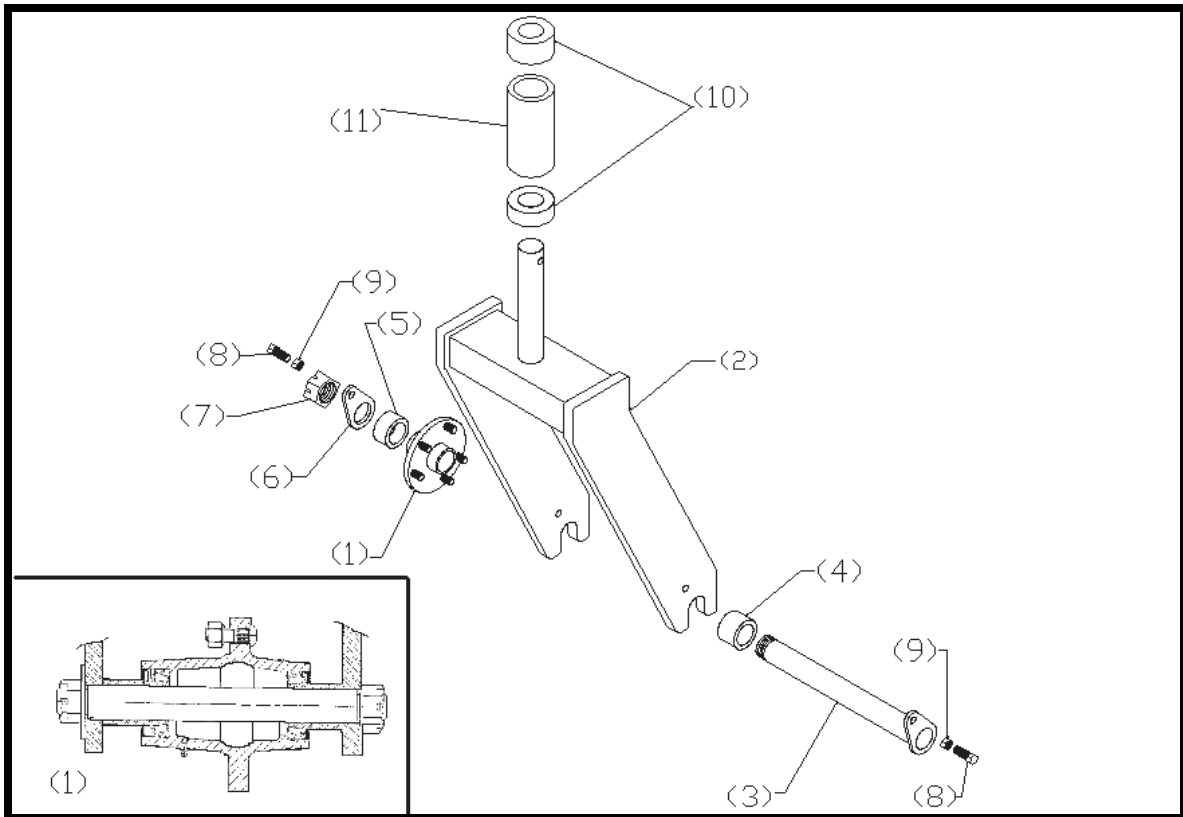


RAKE WHEEL SPRING ASSEMBLY

PARTS LIST

<u>Ref#</u>	<u>BMI#</u>	<u>Description</u>	<u>Qty.</u>
1	16095	Spring	8
2	16100	Pull Spring Retainer Guide	8
3	16101	Pull Spring Guide Pivot	8
4	16493	Spring Rod	8
5	10176	5/8" NC Nut	16
6	16494	Spring Yoke	8
7	16495	Spring Assembly Clevis	8
8	10302	Roll Pin 3/8" x 1 1/4"	16
9	16652	Spring Slide Rod Washer	16
10	16290	Spring Pivot Bushing	16
11	14460	1/2" x 1" NC Bolt	16
Not Shown	14638	1/2" x 1 3/4" NC Bolt	8
Not Shown	14443	1/2" NC Locknut	8
Not Shown	13790	1/2" Flat Washer	8

CASTER ASSEMBLY

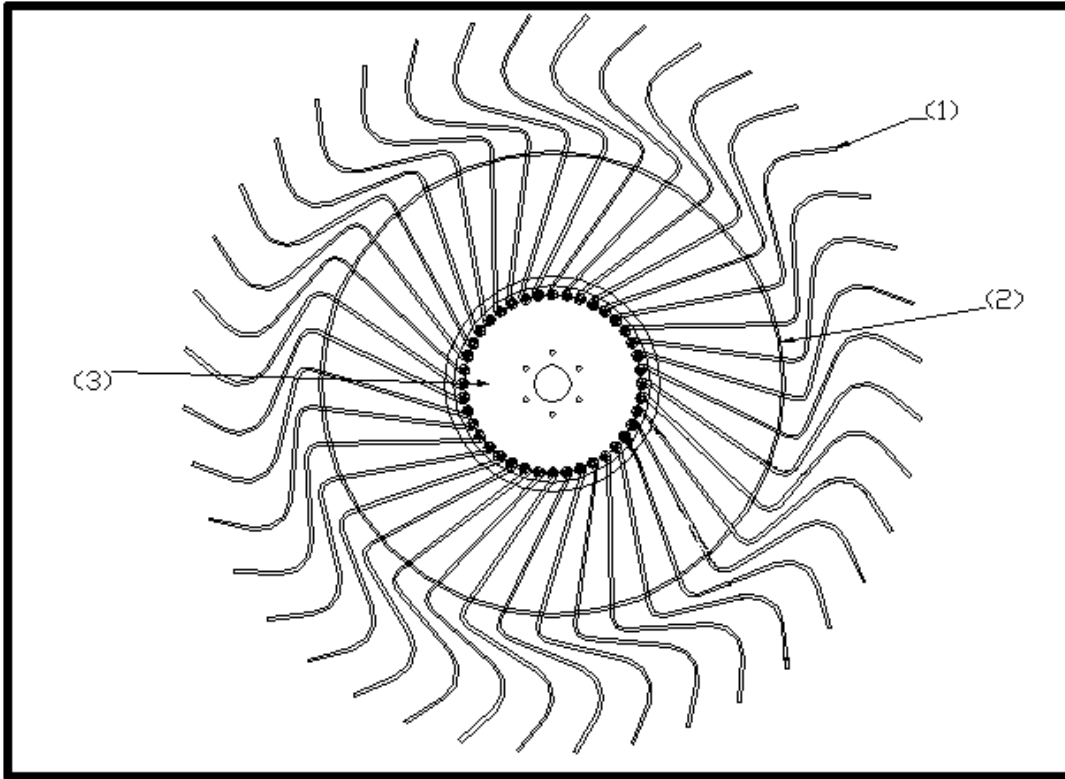


CASTER ASSEMBLY

PARTS LIST

<u>Ref#</u>	<u>BMI#</u>	<u>Description</u>	<u>Qty.</u>
1		Caster Hub Assembly (Page 18)	2
2	16114	Caster Forks	2
3	16135	Caster Axle	2
4	16486	Caster Axle Spacer B	2
5	16485	Caster Axle Spacer A	2
6	16144	Caster Axle Hanger	2
7	16087	1 1/4" NF Castle Nut	2
8	16040	3/8" x 1 3/4" NC Bolt	4
9	13802	3/8" NC Locknut	4
Not Shown	16097	Caster Wheel Pivot Bushing	4
Not Shown	16404	Caster Pivot Bushing Spacer	2
Not Shown	16364	Self Tapping Grease Zerk	2
Not Shown	10302	3/16" x 1 1/4" Roll Pin	2

RAKE WHEEL ASSEMBLY

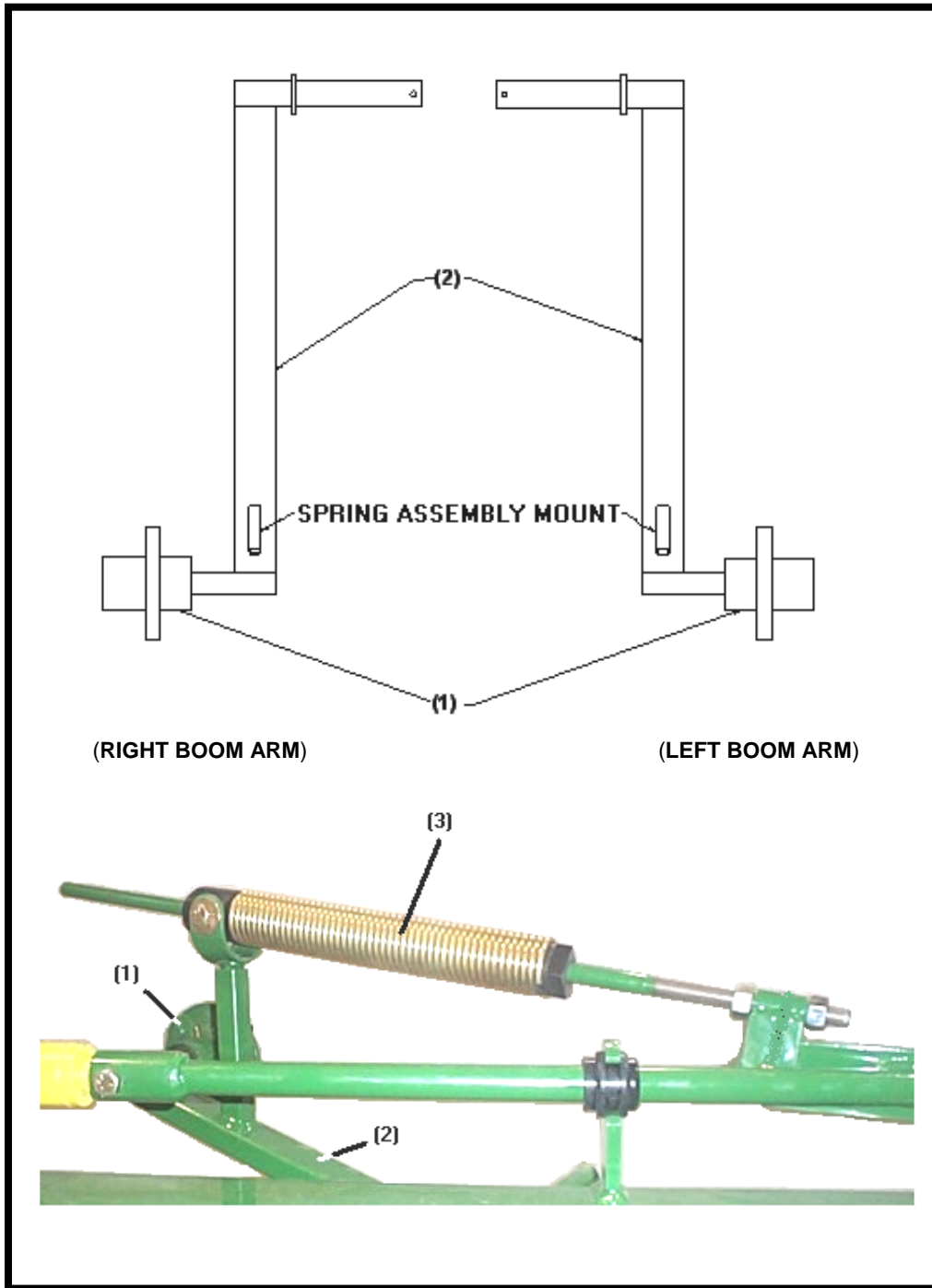


RAKE WHEEL ASSEMBLY

PARTS LIST

<u>Ref#</u>	<u>BMI#</u>	<u>Description</u>	<u>Qty.</u>
	16766	Left Rake Wheel	4
	16767	Right Rake Wheel	4
1	16092	Tines	320
2	16788	Rake Wheel Outer Ring	8
3	16789	Rake Wheel Center Disk	8
Not Shown	13802	3/8" NC Locknut	320
Not Shown	16388	3/8" x 1 1/4" NC Carriage Bolt	320
Not Shown	16791	Wind guard	8

RAKE WHEEL ARM ASSEMBLY

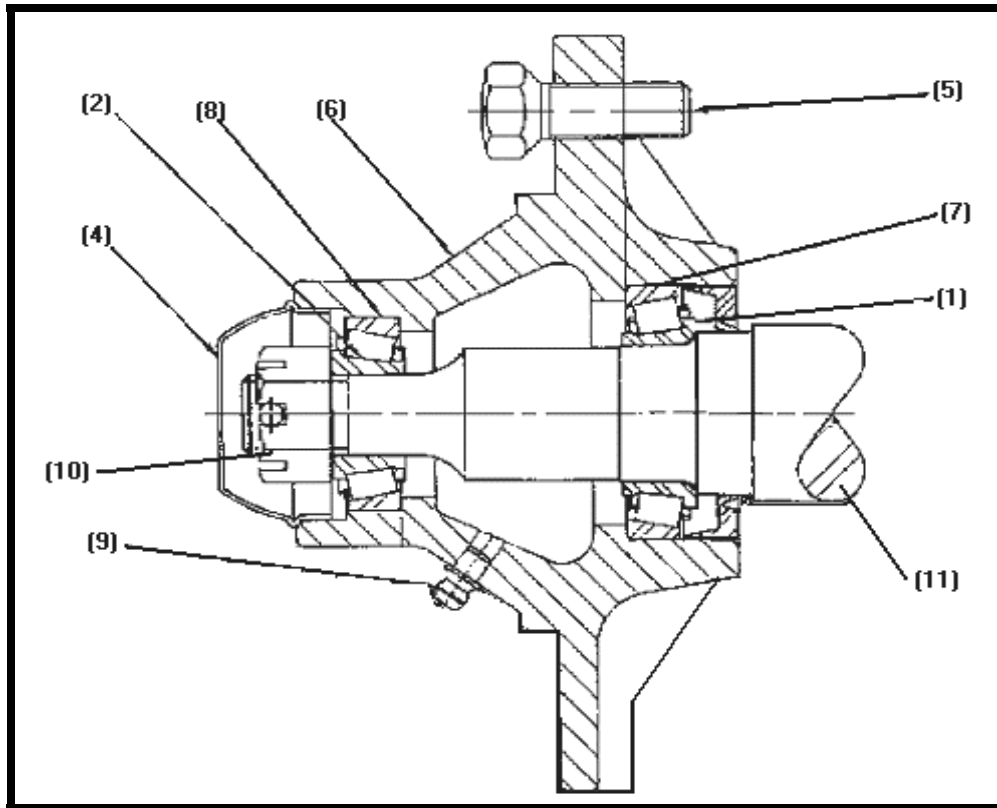


RAKE WHEEL ARM ASSEMBLY

PARTS LIST

<u>Ref#</u>	<u>BMI#</u>	<u>Description</u>	<u>Qty.</u>
1		Rake Wheel Arm Hub Assembly (Page 21)	8
2	16125	Left Rake Wheel Arm	4
	16126	Right Rake Wheel Arm	4
3		Rake Wheel Spring Assembly (Page 16)	8
Not Shown	16651	Rake Wheel Arm Washer	8
Not Shown	15872	1/4" x 2" Roll Pin	8

HUB ASSEMBLY (REAR FRAME)

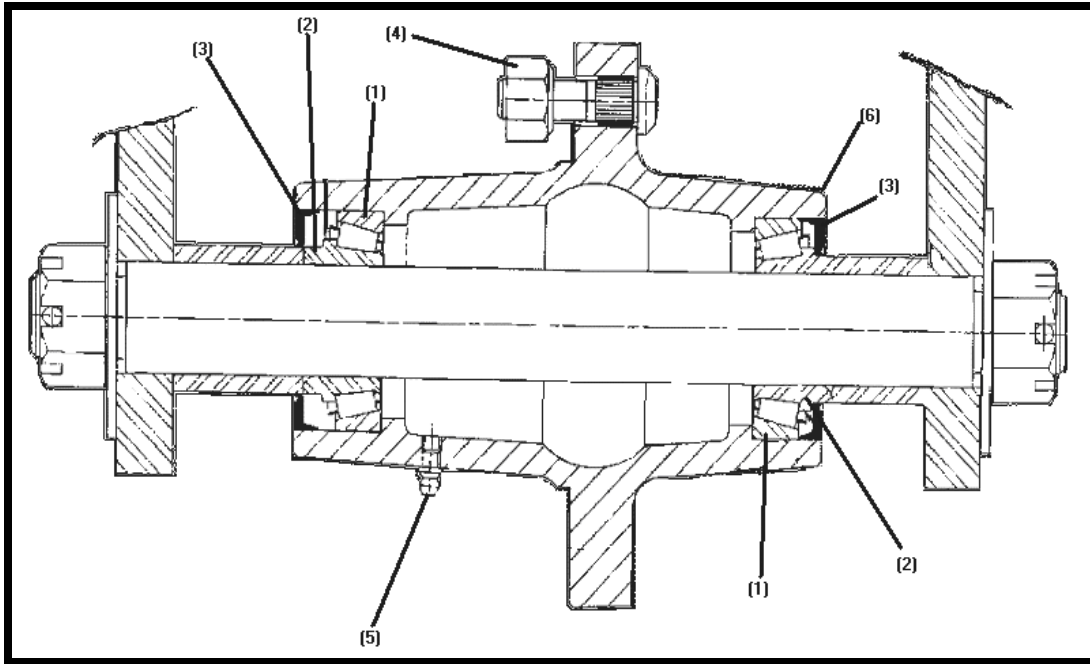


HUB ASSEMBLY (REAR FRAME)

PARTS LIST

<u>Ref#</u>	<u>BMI#</u>	<u>Description</u>	<u>Qty.</u>
1	10082	Inner Cone	2
2	16305	Outer Cone	2
3	16306	Seal	2
4	16308	Dust Cap	2
5	16307	Wheel Bolt	10
6	16724	Hub w/Cups	2
7	10083	Inner Cup	2
8	16304	Outer Cup	2
9	16364	Self Tapping Grease Zerk	2
10	16358	3/4" Castle Nut NF	2
Not Shown	11669	Cotter Pin 3/16" x 1 1/4"	2
11	16323	Rear Wheel Spindle	2

HUB ASSEMBLY (CASTER)

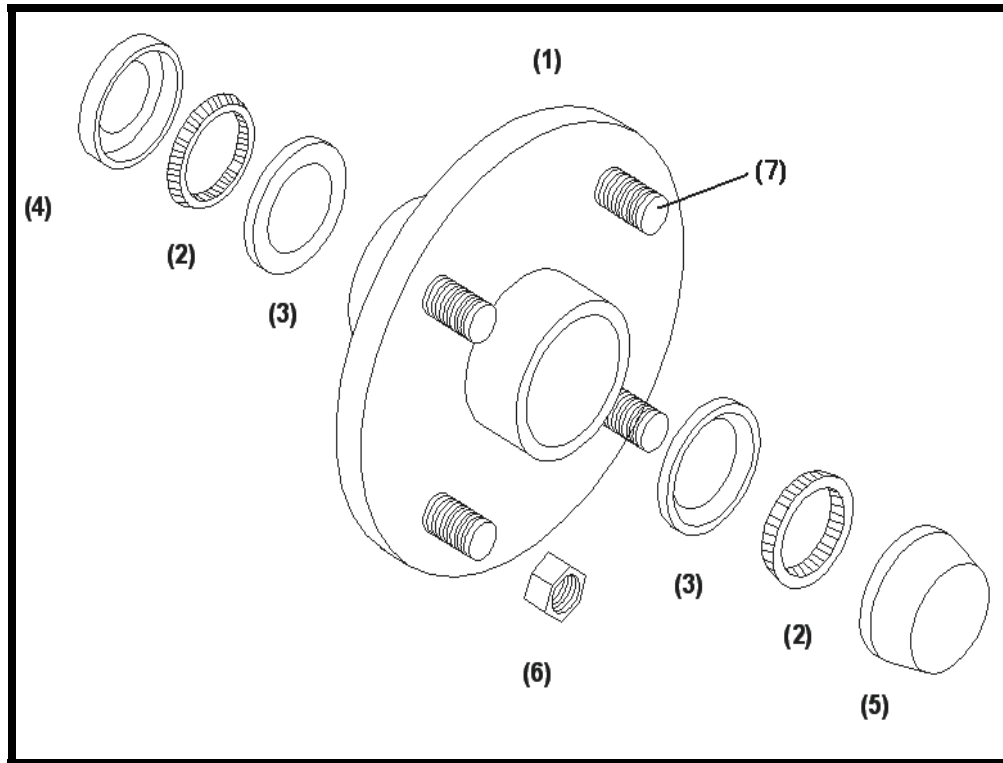


HUB ASSEMBLY (CASTER)

PARTS LIST

<u>Ref#</u>	<u>BMI#</u>	<u>Description</u>	<u>Qty.</u>
1	16295	Caster Hub Cups	4
2	16296	Caster Hub Cones	4
3	16297	Seal	4
4	16356	Wheel Nut	10
5	16364	Self Tapping Grease Zerk	2
6	16725	Caster Wheel w/Cups and Studs	2
Not Shown	16135	Caster Axle	2
Not Shown	16299	1 1/4" NF Castle Nut	2
Not Shown	10580	1/4" x 2" Cotter Pin	2

HUB ASSEMBLY (RAKE WHEEL ARM)

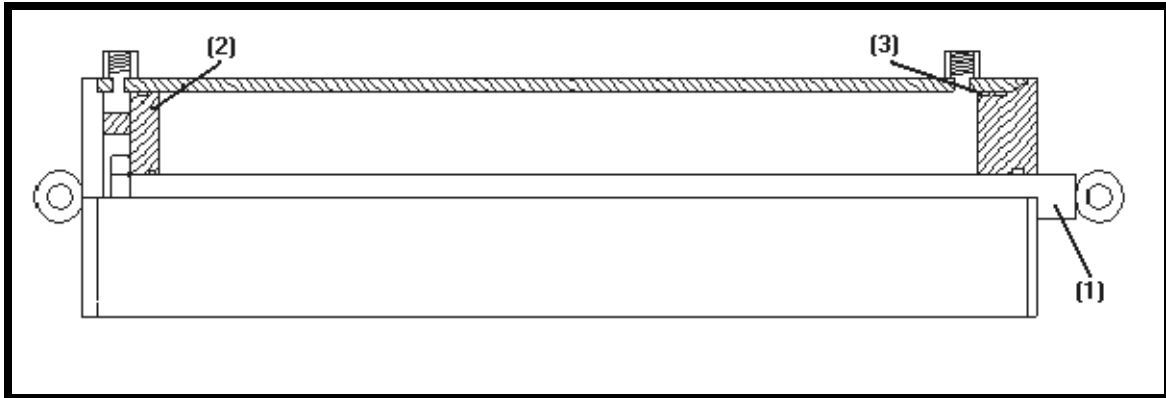


HUB ASSEMBLY (RAKE WHEEL ARM)

PARTS LIST

<u>Ref#</u>	<u>BMI#</u>	<u>Description</u>	<u>Qty.</u>
1	16413	Hub with Studs and Races	2
2	16082	Inner/Outer Bearing	24
3	16081	Inner/Outer Bearing Cup	24
4	16083	Grease Seal	12
5	16084	Dust Cap	12
6	16085	1/2" NF Wheel Nut	48
7	16391	1/2" Wheel Stud	48
Not Shown	16364	Self Tapping Grease Zerk	12
Not Shown	16086	Rake Wheel Spindle	12
Not Shown	16087	Rake Wheel Castle Nut	12
Not Shown	16088	Rake Wheel Spindle Washer	12
Not Shown	16089	1/8" x 1 3/4" cotter pin	12

HYDRAULIC CYLINDER (MAIN)

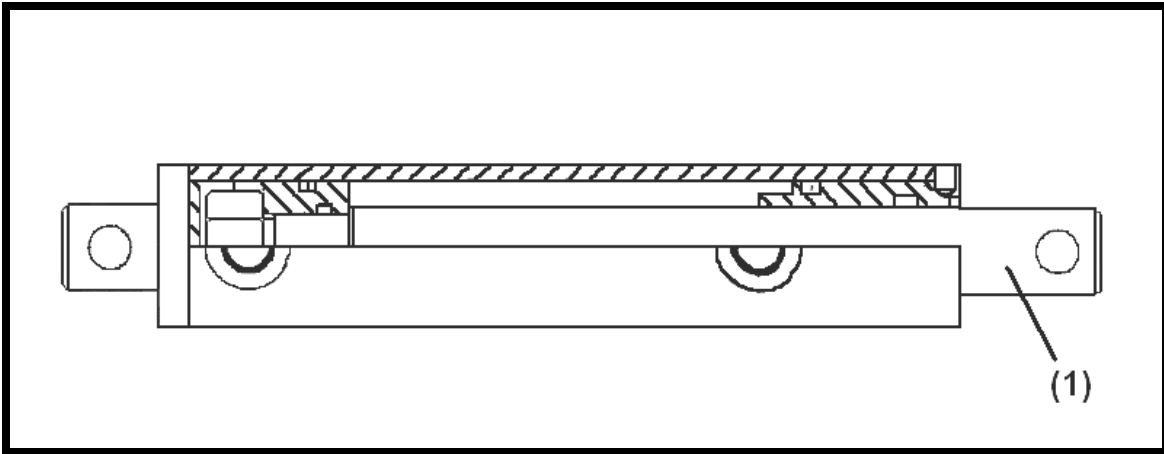


HYDRAULIC CYLINDER (MAIN)

PARTS LIST

<u>Ref#</u>	<u>BMI#</u>	<u>Description</u>	<u>Qty.</u>
	16301	Hydraulic Cylinder Assembly	
1	16399	Main Cylinder Shaft	1
2	16598	Piston	1
3	16596	Gland	1
Not Shown	16396	Seal Kit	1

HYDRAULIC CYLINDER (LIFT ROD)

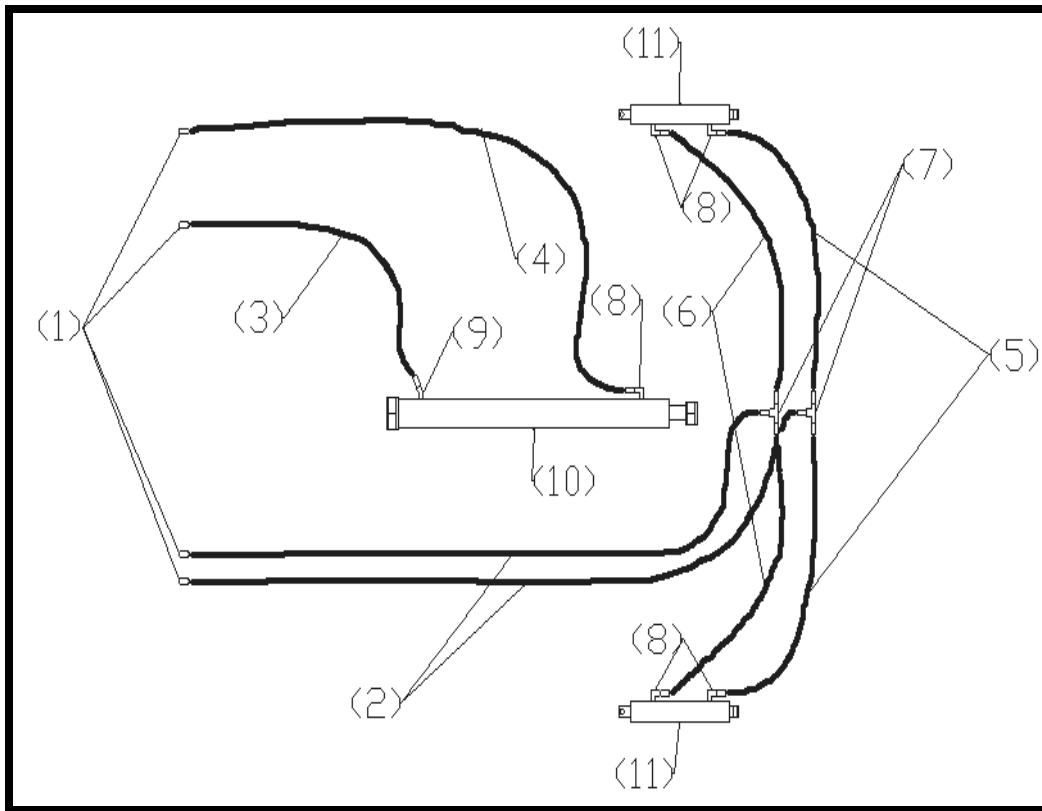


HYDRAULIC CYLINDER (LIFT ROD)

PARTS LIST

<u>Ref#</u>	<u>BMI#</u>	<u>Description</u>	<u>Qty.</u>
1	10317	Hydraulic Cylinder Assembly	1
Not Shown	16746	1" Cylinder Shaft	1
Not Shown	10318	Seal Kit	1

HYDRAULIC SCHEMATICS

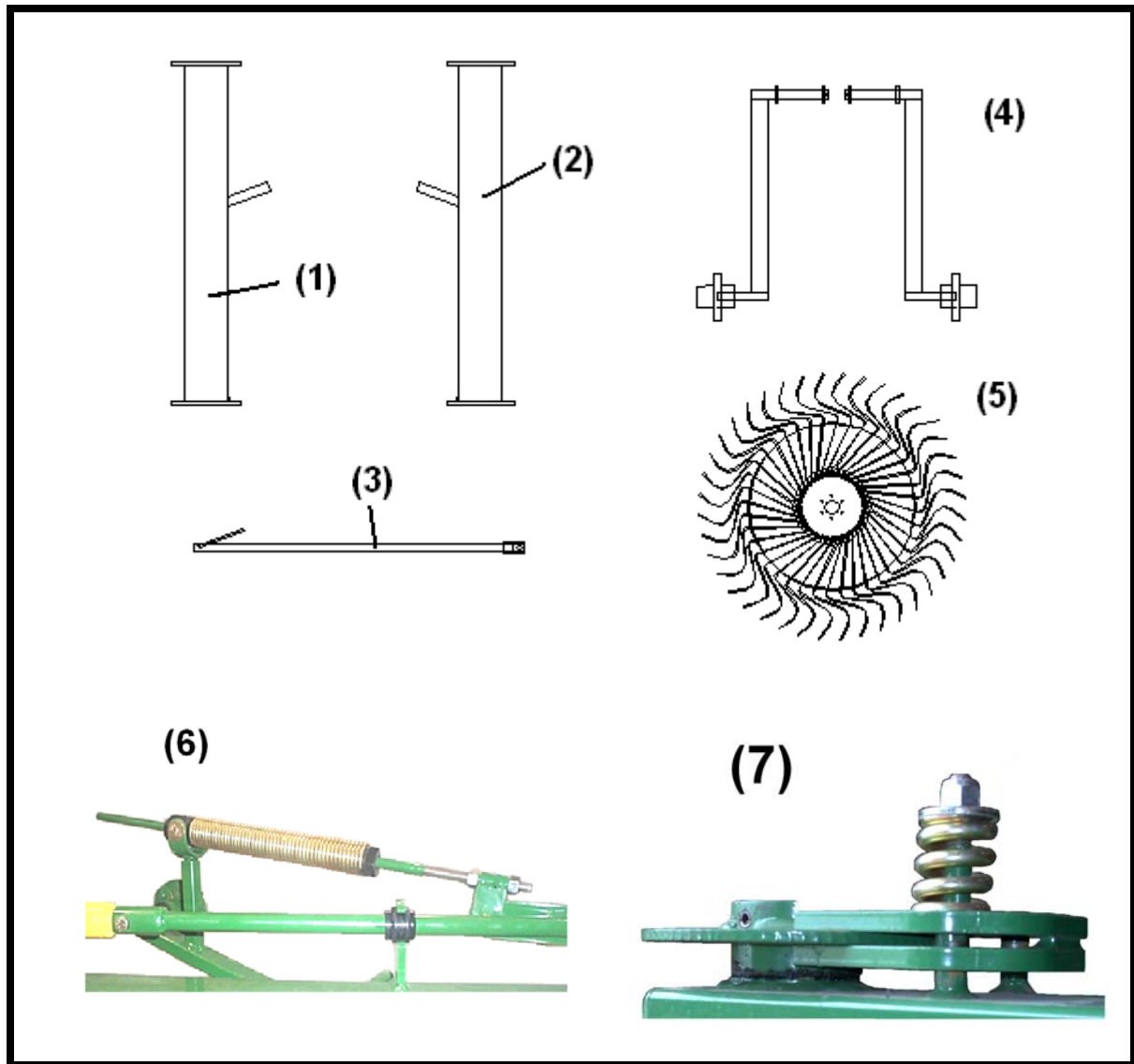


HYDRAULIC SCHEMATICS

PARTS LIST

<u>Ref#</u>	<u>BMI#</u>	<u>Description</u>	<u>Qty.</u>
1	10167	Pioneer Male Tips	4
2	16792	Hose 359" OAL 8MP – 6FJX	2
3	16787	Hose 273" OAL 8MP – 6FJX	1
4	16790	Hose 303" OAL 8MP – 6FJX	1
5	16552	Hose 84" OAL 8MP – 6FJX	2
6	16553	Hose 93" OAL 8MP – 6FJX	2
7	10163	Fitting – 6MJ – 6MJ Tee	2
8	10201	Fitting – 6MB – 6MJ90	5
9	16386	Orifice Fitting – 6MB -6MJ90 [.0625]	1
10	16301	2 1/2 x 30" Cylinder	1
11	10317	1 1/2 x 8 Cylinder	2

10 WHEEL EXTENSION PARTS



10 WHEEL EXTENSION PARTS

PARTS LIST

<u>Ref#</u>	<u>BMI#</u>	<u>Description</u>	<u>Qty.</u>
	16023	10 Wheel Extension Kit	
1	16534	Left Frame Extension	1
2	16535	Right Frame Extension	1
Not Shown	14467	5/8" x 1 3/4" NC Bolt	12
Not Shown	11614	5/8" NC Serrated Flange Nut	12
3	16113	Extension Lift Rod	2
Not Shown	13805	1/2" x 2 1/4" NC Bolt	2
Not Shown	14443	1/2" NC Locknut	2
Not Shown	16099	Lift Rod Bushing	2
4	16115	Rake Wheel Arm Assembly (Page 15)	2
5		Rake Wheel Assembly (Page 14)	2
6		Rake Wheel Spring Assembly (Page 12)	2
7		Caster Brake Assembly (Page 11)	2