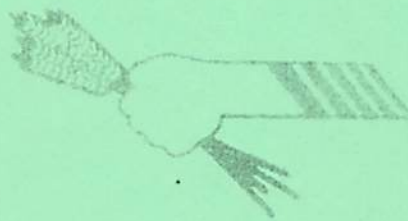


PARTS MANUAL

BALE KING

VORTEX 2000



BRIDGEVIEW

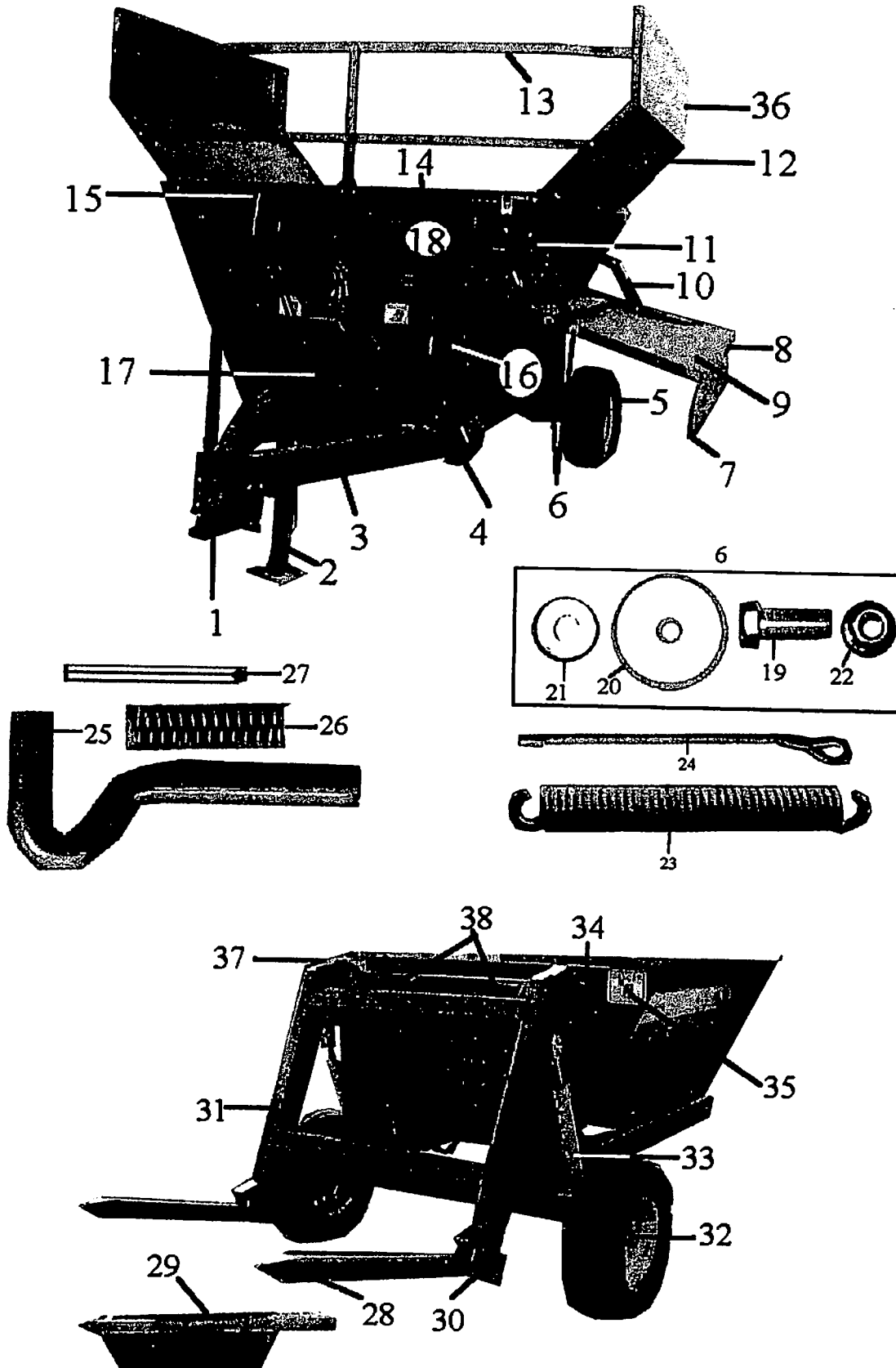
MANUFACTURED BY: BRIDGEVIEW MANUFACTURING INC.
P.O. BOX 4
GERALD, SASK. CANADA
S0A 1B0
PHONE: (306) 745-2711
FAX: (306) 745-3364

TABLE OF CONTENTS

BMI BALE KING VORTEX 2000

EXTERNAL PARTS AND CONTROLS	PAGE 1-3
STANDARD HUB ASSEMBLY	PAGE 4
INNER TUB PARTS	PAGE 5-6
HYDRAULIC SCHEMATIC AND PARTS	PAGE 7-8
PTO PARTS	PAGE 9-10
OPTIONAL PARTS	PAGE 11-12
HYDRAULIC CYLINDER	PAGE 13-14

External Parts & Controls



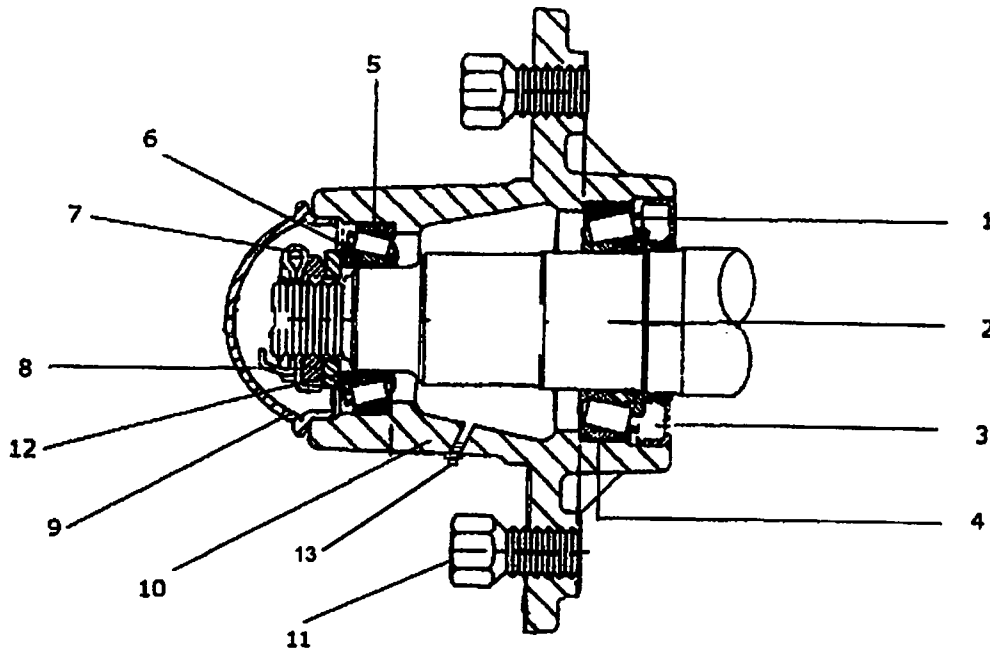
BMI External Parts & Controls List

<u>Ref#</u>	<u>BMI#</u>	<u>Description</u>	<u>Qty</u>
1	10281	Adjustable Hitch Assembly	1
Not shown	10282	3/4 x 2 NC bolt	4
Not shown	10283	3/4 NC Nut	4
Not shown	10284	3/4 lockwasher	4
2	10285	Implement Jack	1
Not shown	10242	Jack Stub (weld on)	1
3	10286	Main Frame Assembly	1
4	10236	Bottom Deflector Attachment includes 25,26,27	1
Not shown	10175	1/2 x 1 1/4 NC Bolt	4
Not shown	10273	1/2 Serrated NC Nut	4
5	10077	Tire 11L x 15 8 ply	2
	10287	Rim 8 x 15 6 bolt (yellow)	2
6	-----	See separate parts (19,20,21,22)	
7	10259	Rubber Deflector 12"	1
7	10351	Rubber Deflector 24" Above Ser.# BK1510	1
8	10288	Support Channel	1
Not shown	10253	3/8 x 1 1/4 NC Bolt	8
Not shown	10289	3/8 NC Locknut	8
9	10257	Side Deflector	1
Not shown	10290	round Rubber Grip (black)	1
10	10245	Deflector Arm	2
11	10291	Lift Assembly for Side Deflector includes 25,26,27	1
Not shown	10292	Nylon Bearing Block	1
Not shown	10293	Roll Pin 1/4 x 2 1/2	1
Not shown	10175	1/2 x 1 1/4 NC Bolt	4
Not shown	10273	1/2 Serrated NC Nut	4
12	10256	Top Bale Shield	2
13	10294	Front Rack	1
14	10295	Tub Assembly	1
15	10269	PTO & Hose Support	1
Separate part	10306	Clamp for hoses	1
Not shown	10271	3/8 Serrated Nut	1
16	10296	Adjuster Hoop Height Includes #25,26,27	1
Not shown	10297	flat Rubber Grip	1
17	10298	Front Plate (rotor bearing)	1
Not shown	10175	1/2 x 1 1/4 NC Bolt	8
Not shown	10273	1/2 Serrated NC Nut	8
18	10299	Spring Guard	1
Not shown	10300	3/8 x 1 NC Bolt	4
Not shown	10271	3/8 x Serrated NC Nut	4
19	10174	1/2 x 1 1/2 NC Bolt	1
20	10238	1/2 Fender Washer	1
21	10239	Bushing 1/2 x 1 1/4	1
22	10273	1/2 Serrated NC Nut	1

BMI External Parts & Controls List

<u>Ref#</u>	<u>BMI#</u>	<u>Description</u>	<u>Qty</u>
23	10246	Spring lift assist for side deflector	1
Not shown	10363	Eyebolt 5/8 x 5 1/4	1
Not shown	10364	5/8 NC locknut	1
24	10230	Cable	1
25	10231	Plated Handle	1
26	10301	Compression Spring	1
27	10302	Roll Pin 3/16 x 1 1/4	1
28	10303	Bale Tine 3 x 3	2
29	10234	Optional Small Bale Tine	2
30	10031	Headed Pin (tine to fork frame)	2
Not shown	10178	Cotter Pin 1/4 x 2 1/4	2
31	10304	Rear Fork Frame (green)	1
32	-----	See hub elsewhere in manual	
33	-----	See Hydraulic cylinders elsewhere in manual	
34	10244	End Cap (black plastic)	2
35	10182	Safety Decal Set	1
36	10224	Main Decal Set (Vortex 2000)	1
37	10305	Pivot pipe (bale fork) 1999 year and below	1
37	10361	Pivot Pipe (bale fork) serial number BK1510 & up	1
38	10280	Grease Zerk 1/4" 28THD	2

BMI STANDARD HUB ASSEMBLY

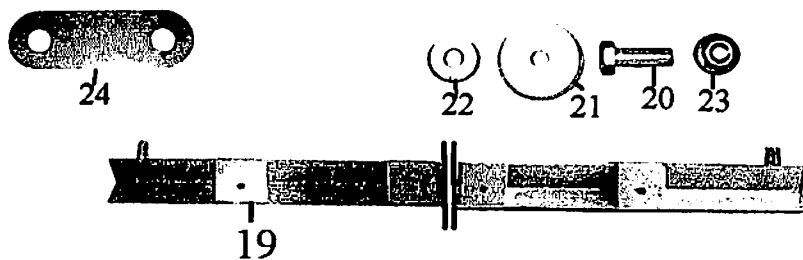
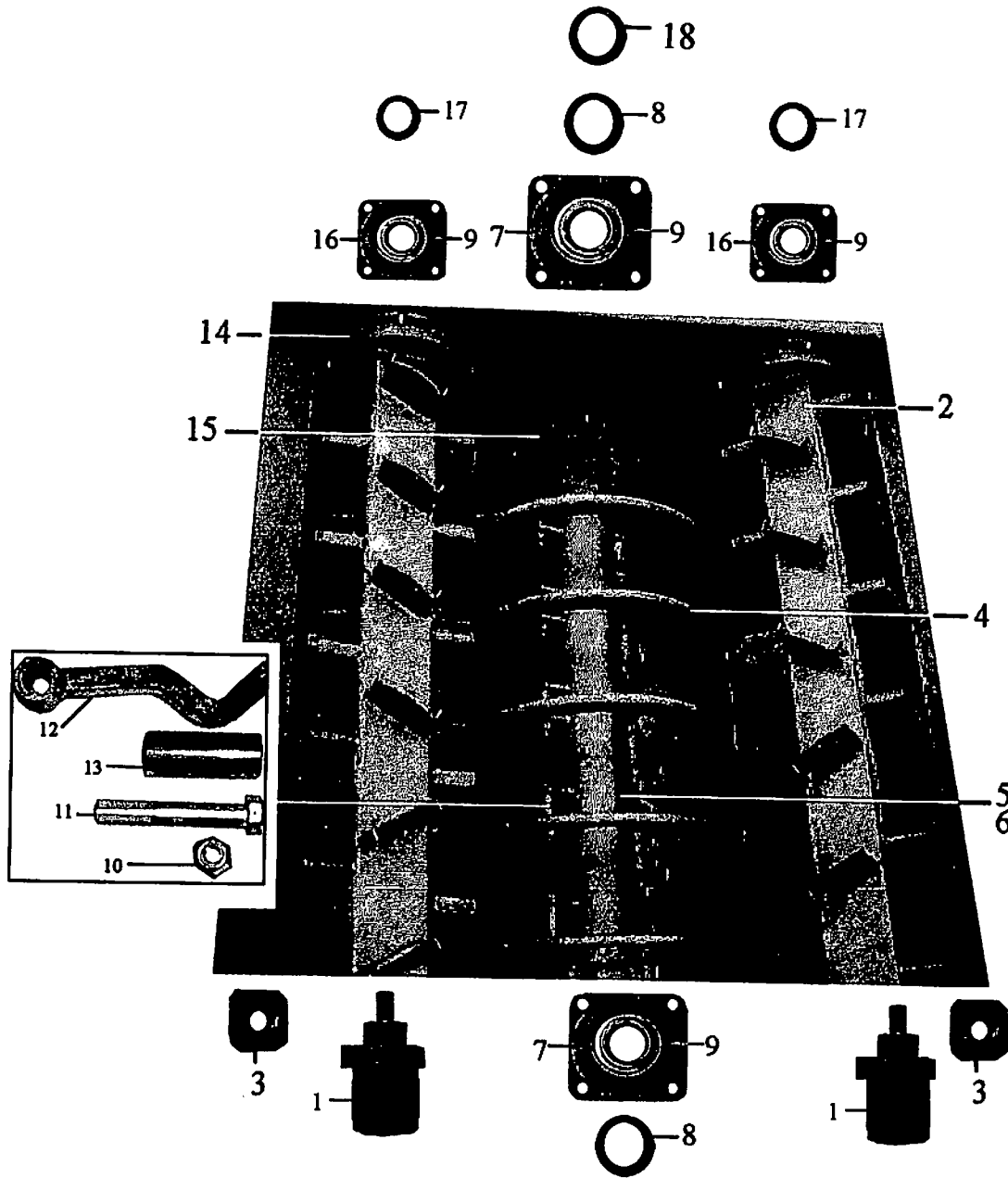


BMI Wheel Hub Parts List

6 Bolt Hub w/2" Spindle

<u>Ref#</u>	<u>BMI#</u>	<u>Description</u>		<u>Qty</u>
1	10067	Cone Inside Bearing	LM603049	2
2	10065	Spindle w/nut		2
3	10066	Dirt Seal	SE16	2
4	10068	Cup Inside Bearing	LM603011	2
5	10070	Cup Outside Bearing	LM48510	2
6	10069	Cone Outside Bearing	LM48548	2
7	10072	Cotter Key	3/16 x 1 1/2	2
8	10153	Castle Nut	1" 14THD	2
9	10073	Dust Cap	D5000	2
10	10074	Hub w/grease zerk 6 Bolt	EM5000	2
11	10075	Wheel Stud	9/16 x 1 1/2 NF	12
12	10071	Washer	1 1/16 x 2	2
13	10280	Grease Zerk 1/4" 28THD		2

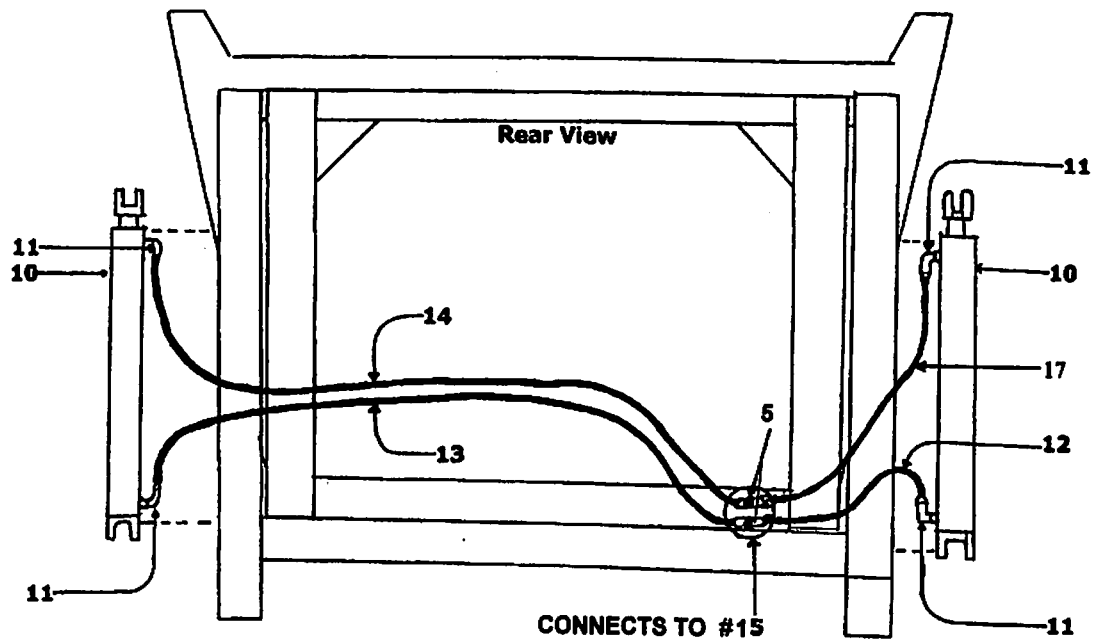
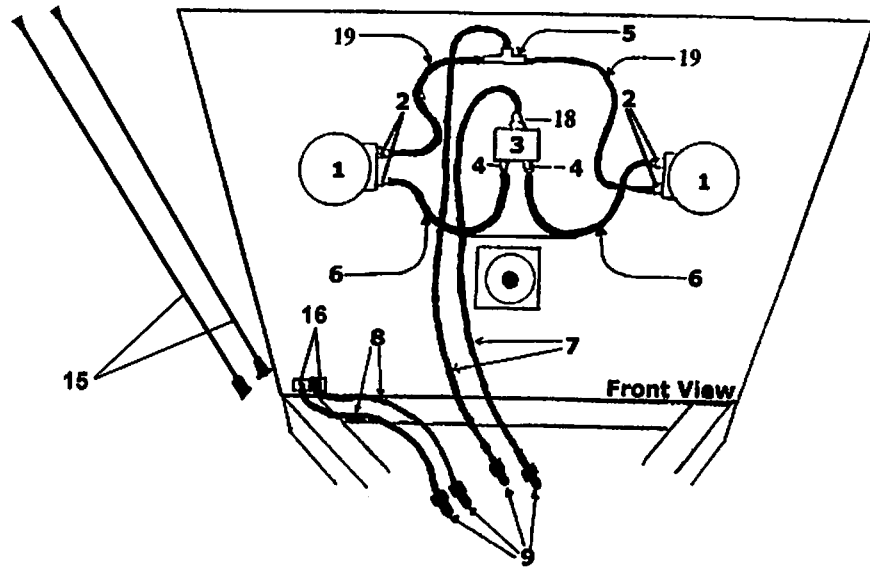
INNER TUB PARTS



INNER TUB PARTS

<u>Ref#</u>	<u>BMI#</u>	<u>Description</u>	<u>Qty</u>
1	10045	Hydraulic Motor Assembly OEM#RE32070500	2
Not shown	10172	Sockethead bolt 1/2 x 2 1/2 NC	8
Not shown	10273	1/2 Serrated NC Nut	8
2	10228	Beater Assembly	2
3	10021	Coupler Assembly	2
4	10226	Hoop Assembly w/bridge support	7
Not shown	10240	Bolt 1/2 x 1 1/4 NC	7
Not shown	10278	1/2 NC Locknut	7
Not shown	10271	3/8 Serrated NC Nut	7
Not shown	10279	3/8 x 2 NC Bolt	7
5	10260	Rotor Assembly (no flails)	1
6	10261	Rotor Assembly (with flails)	1
7	10221	Bearing w/block and lock collar RCJ1 15/16	2
Not shown	10274	Bolt 5/8 x 1 3/4 NF Gr.8	8
Not shown	10275	Nut 5/8 NF GR.8	8
Not shown	10276	Lockwasher 5/8	8
Not shown	10222	Bearing Insert 1 15/16 G1115KRRB	2
8	10268	Lock Collar 1 15/16 ELC 115	2
9	10270	Grease Zerk 1/8 NPT	4
10	10007	Nylon Locknut 3/4 NC	30
11	10006	Bolt 3/4 x 5 NC	30
12	10223	Flail 3/4x1 1/2 x 8 3/4(Must replace in pairs)	30
13	10005	Brass bushing for flail	30
14	10229	Twine Guard for Beater	4
Not shown	10253	3/8 x 1 1/4 NC Bolt Beater and Rotor guards	24
Not shown	10271	3/8 Serrated NC Nut	24
15	10272	Twine Guard for Rotor (See Above for Bolts)	2
16	10038	Bearing Assembly w/block & collar 1 3/4 PCJ 1 3/4	2
Not shown	10174	1/2 x 1 1/2 NC Bolt	8
Not shown	10273	1/2 Serrated NC Nut	8
Not shown	10043	Bearing Insert 1 3/4 GRA112NPPB	2
17	10040	Lock Collar 1 3/4 ELC 112	2
18	10227	Split Collar (back of Rotor)	1
19	10255	Hoop Support	1
20	10174	Bolt 1/2 x 1 1/2 NC	4
21	10238	1/2 Fender Washer	4
22	10239	1/2 x 1 1/4 Deflector Bushing	4
23	10273	Serrated NC Nut	4
24	10277	Shackle (Hoop support to Hoop Adjusting Lever)	2

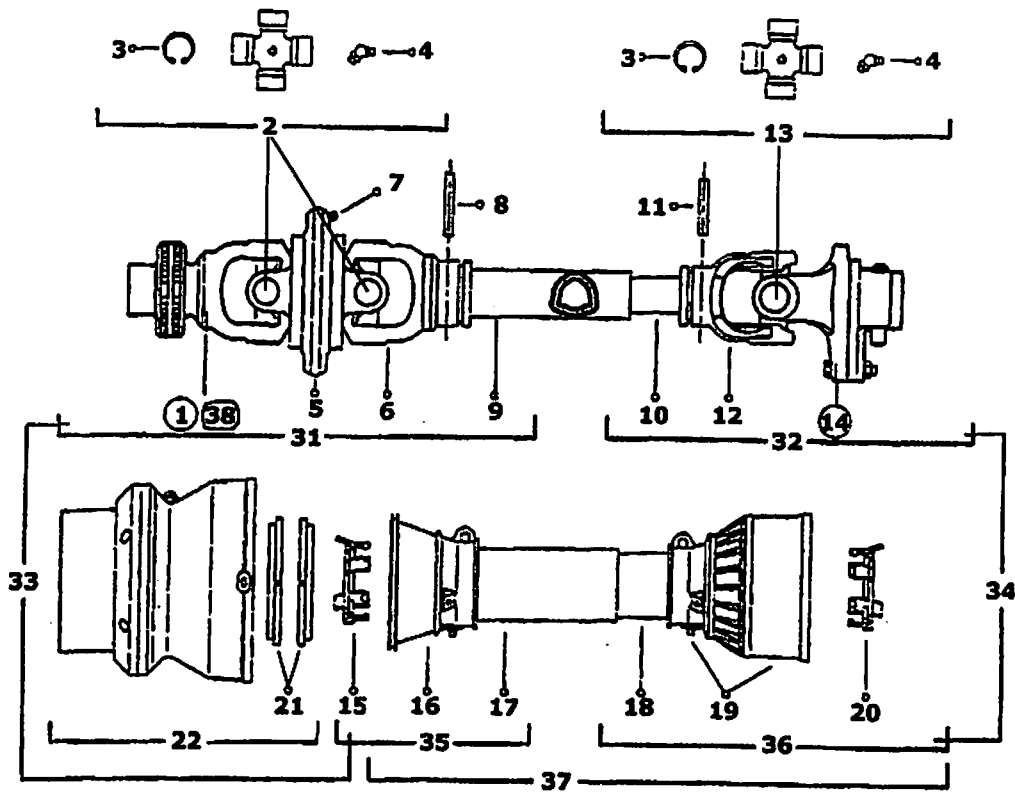
HYDRAULIC SCHEMATICS



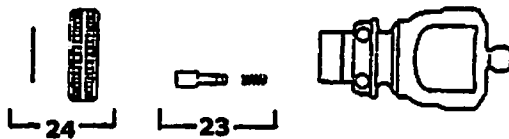
BMI Hydraulic Parts List

<u>Ref#</u>	<u>BMI#</u>	<u>Description</u>	<u>Qty</u>
1	10045	Hydraulic Orbit Motor RE32070500	2
2	10161	Adaptor ORB to JIC 10MB-8MJ	4
3	10189	Modular Control 50/50 flow divider	1
4	10199	Adaptor ORB to JIC 45 degree 8MB-6MJ45	2
5	10188	Bulkhead Fitting JIC Tee 6MJBH-6MJT	3
6	10197	3/8 Hose Assembly 21"OAL ends 6FJX & 8FJX	2
7	10196	3/8 Hose Assembly 102"OAL ends 6FJX & 8MP	2
8	10195	3/8 Hose Assembly 120' OAL ends 6FJX & 8MP	2
9	10167	ISO Male Hydraulic Tip 8010-4	4
10	10056	Hydraulic Cylinder assembly (See Parts Breakdown)	2
11	10168	Elbow Fitting 90 degrees 6MJ-6MP	4
12	10191	3/8 Hose Assembly 22" OAL both ends 6FJX	1
13	10193	3/8 Hose Assembly 48" OAL both ends 6FJX	1
14	10194	3/8 Hose Assembly 54" OAL both ends 6FJX	1
15	10190	3/8 Hose Assembly 80" OAL both ends 6FJX	2
16	10187	Bulkhead Elbow 6MJBH-6MJ90	2
17	10191	3/8 Hose Assembly 22" OAL both ends 6FJX	1
18	10200	Elbow Fitting 8MB-6MJ90	1
19	10198	3/8 Hose Assembly 18" OAL ends 6FJX-8FJX	2

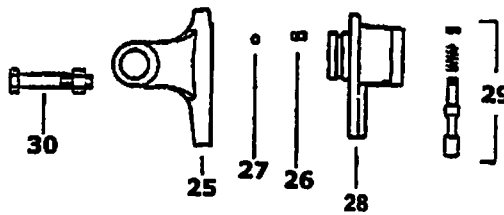
BMI BONDIOLI PTO



① 38



⑭



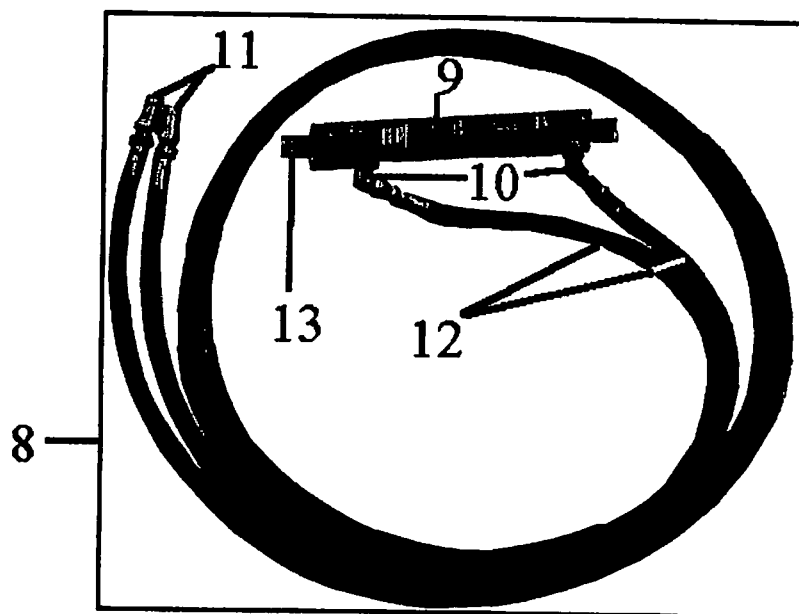
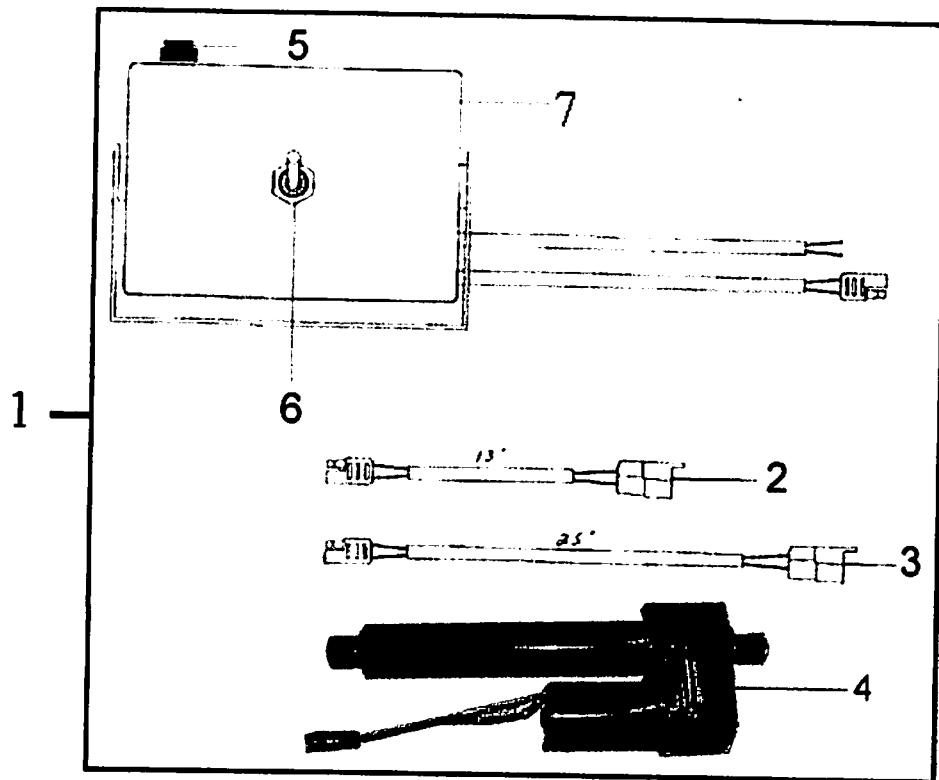
BMI BONDIOLI PARTS LIST

<u>Ref#</u>	<u>BMI#</u>	<u>Description</u>	<u>Qty</u>
	10114	Complete PTO Assembly	1
1	10115	Yoke w/bridge 1 3/8 21-spline 573063775	1
2	10116	U-joint Cross Kit 412060012	2
3	10117	Circlip (in cross kit) 338020000	8
4	10118	Grease Zerk (in cross kit) 348004000	2
5	10119	Central Body CV Joint 511060051	1
6	10120	Yoke 215066854	1
7	10121	Grease Zerk 348017000	1
8	10122	Roll Pin 341042000	1
9	10123	Cardan Tube 225270836	1
10	10124	Cardan Tube CM 245160836	1
11	10125	Roll Pin 341043000	1
12	10126	Inner Tube Yoke 204066852	1
13	10127	U-Joint Cross Kit 41206	1
14	10128	Torque Limiter (quick pin style) 606606064	1
14	10371	Torque Limiter (wedge Lock) 606606080	1
15	10129	Shield Support 6-7 255060005	1
16	10130	Safety Cone 254050001	1
17	10131	CM Safety Tube 236830776	1
18	10132	SM safety Tube 236820776	1
19	10133	I Cone Sets F5-6-7 517050020	1
20	10134	Shield Support 6-7 255060006	1
21	10135	Ring Nut Dowell 255060006	1
22	10136	Complete Shell 517068001	1
23	10137	Complete Push Bottom 403000013	1
24	10138	Hub 240080061	1
25	10139	Yoke 213060020	1
26	10140	Grease Zerk 348012000	1
27	10141	Ball 5/16 362003000	1
28	10142	Splined hub 513083807	1
29	10143	Complete Push Bottom 401000037	2
30	10144	Shear Bolt 432000008	1
31	10145	Half Shaft (Tractor end no shield) 7E5610100T08	1
32	10146	Half Shaft (Impl.end no shield) 8IR610100009	1
33	10147	Half Shaft (Tractor end w/shield) 7E56101R1T08	1
34	10148	Half shaft (Impl.end w/shield) 8IR6101FF003	1
35	10149	Half Safety Shield (trac. End) 5FE6101E1656	1
36	10150	Half Safety Shield (Impl. End) 5F16101FF	1
37	10151	Safety Shield complete 5F06101E1656	1
38	10152	Yoke 1 3/4 20-spline 573063875	1

****NOTE****

Bondioli Shaft can be identified by Cone shaped Shield on machine end.

OPTIONAL ATTACHMENTS & PARTS

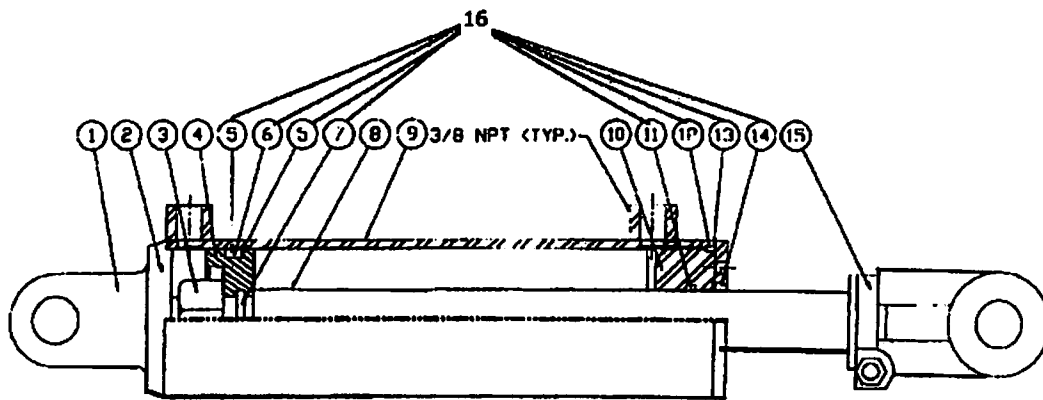


Optional Attachment & Parts List

<u>Ref#</u>	<u>BMI#</u>	<u>Description</u>	<u>Qty</u>
1	10307	Electric Lift Attachment (Side Deflector) 2000,2010	1
1	10308	Electric lift Attachment (side Deflector) 2020 only	1
Not shown	-----	Attaching hardware same as hydraulic kit	
2	10309	Cable 13' 2000,2010	1
3	10310	Cable 25' 2020 only	1
4	10311	Electric Actuator 2000,2010,2020	1
5	10312	Fuse holder	1
Not shown	10313	Fuse AGC 25	1
6	10314	Switch 3-way	1
7	10315	Box Assembly w/ harness	1
8	10316	Hydraulic Lift Attachment 2000,2010	1
8	10369	Hydraulic Lift Attachment 2020 only	1
9	10317	Hydraulic Cylinder Assembly	1
Not shown	10318	Seal Kit 3604364	1
10	10319	Elbow Fitting 6MB-6MJ90	2
11	10167	ISO Hydraulic Male Coupler 8010-4	2
12	10320	Hydraulic Hose Assembly 3/8 hose w/#6 Female JIC On one end and 1/2" MPT on the other 144" OAL 2000,2010 only	2
12	10370	Hydraulic Hose Assembly 3/8 hose w/#6 Female JIC On one end and 1/2 MPT on the other 288" OAL 2020 only	2
13	10321	Bolt 1/2 x 3 NC	1
Not shown	10239	Bushing used as spacer	2
Not shown	10322	Bolt 1/2 x 2 NC	1
Not shown	10241	Locknut 1/2 NC	2

BMI HYDRAULIC CYLINDER PARTS

RAM INDUSTRIES 2 1/2 X 20 WELDED CYLINDER



BMI Ram Industries 2 1/2 x 20 Parts List

<u>Ref#</u>	<u>BMI#</u>	<u>Description</u>		<u>Qty</u>
	10056	Complete Cyl. Assembly	4503090	2
1	10154	Barrel Assembly w/clevis	R7600004	2
2	N/A	Butt Plate (not sold separately)		
3	10062	Lock Nut piston rod 1-14th	R3005007	2
4	10059	piston 2.5 dia.	4603090	2
5	N/A	Part of Seal Kit		
6	N/A	Part Of Seal Kit		
7	N/A	Part of Seal Kit		
8	10058	Cylinder Shaft	4203090	2
9	N/A	Barrel (sold as part of #1)		
10	10060	Gland	4703090	2
11	N/A	Part Of Seal Kit		
12	N/A	Part Of Seal Kit		
13	N/A	Part Of Seal Kit		
14	N/A	Part Of Seal Kit		
15	10061	Clevis	R7600043	2
16	10063	Seal Kit	3603090	2
Not shown	10339	Cylinder pin 2 3/8" Useable Length		2
Not shown	10341	Cylinder Pin 3" Useable Length		2

